



### Benefits

- ▶ 9U 23" 4K LCD display panel
- ▶ 3840 x 2160 native resolution / 1.07B colors ( 10-bit )
- ▶ 1920 x 1080 & 1920 x 1200 resolution support
- ▶ Display port 1.2 + HDMI 1.4 + HDMI 2.0 video input
- ▶ PIP Sub-screen & PBP Dual-screen viewing efficiency
- ▶ Built-in dual stereo speakers
- ▶ 2-year standard warranty ( upgradable up to 5 years )

### Options

- 3G / HD / SD-SDI Broadcast-grade input
- DC power : 12V / 24V / 48V / 125V
- MCS Multi display OSD controller
- MIL-type or lockable connector
- Touchscreen : Projected Capacitive 10-pt / Infrared 6-pt / Resistive 1-pt

## Product Specifications

Video	
Video input	Display port 1.2 + HDMI 1.4 + HDMI 2.0

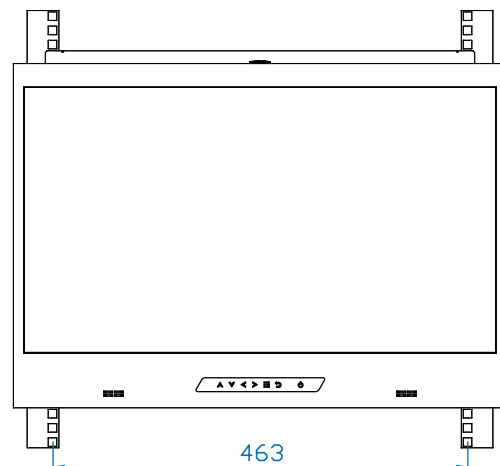
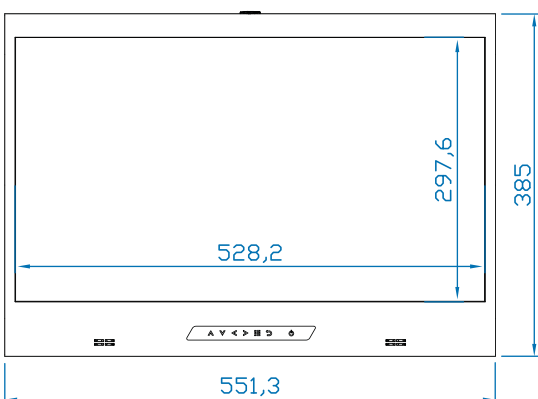
LCD Panel	
Panel size ( diagonal )	23.8"
Native resolution	3840 x 2160
Brightness ( cd/m <sup>2</sup> )	310
Contrast ratio ( typ. )	1000 : 1
Colors	1.07 Billion, 10-bit
Viewing angle ( L/R/U/D )	89/89/89/89
Response time ( ms )	25
Dot pitch ( mm )	0.13725
Display area ( mm )	527.04H x 296.46V
Surface treatment	Anti-glare
Surface hardness	3H
Backlight type	LED
MTBF (hrs)	30,000

Physical		
Dimensions ( W x D x H )	Product	551 x 65 x 385 mm 21.7 x 2.6 x 15.2 inch
	Packing	583 x 124 x 529 mm 23 x 4.9 x 20.8 inch
Weight	Net	8.8 kg / 19.4 lb
	Gross	11.2 kg / 24.6 lb

\* All dimensions stated are subject to change if options are selected / integrated to base model part codes

Compliance	
EMC	FCC & CE certified
Safety	CE / LVD certified
Environment	RoHS2 & REACH compliant

## Diagrams ( mm )



Audio Option		
Output	Connector	3.5mm stereo jack
	Resistance / Power level	30kΩ / 2.8V
Speaker	Dual stereo	2W x 2

Mounting	
Rackmount	9U
VESA mount	100*100 mm

Power		
Input	Auto-sensing 100 to 240VAC, 50 / 60Hz	
Consumption	Screen on	Max. 45W
	Power saving mode	Max. 9W
	Power button off	Max. 2W

Environment	
Operating temp.	0 to 55°C degree
Storage temp.	-20 to 60°C degree
Operating humidity	20~90%, non-condensing
Storage humidity	5 ~90%, non-condensing
Operating altitude	16,000 ft
Non-operating altitude	40,000 ft
Shock	10G acceleration ( 11ms duration )
Vibration	10~300Hz 0.5G RMS random vibration